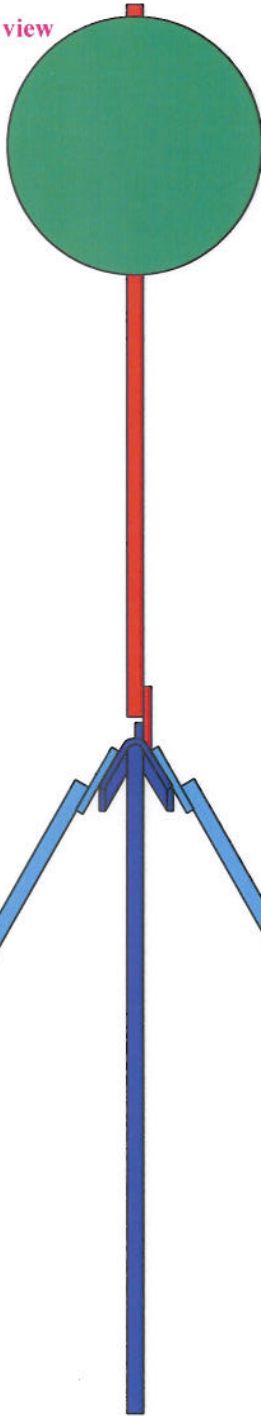


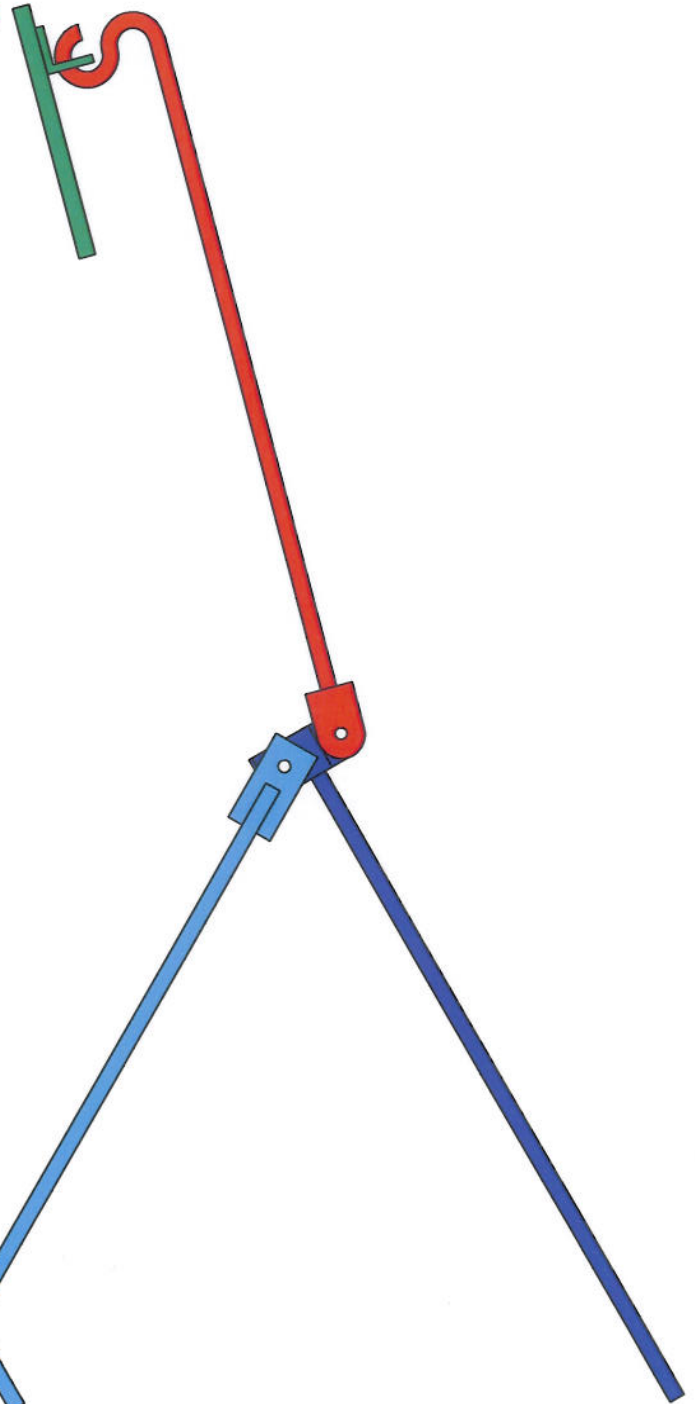
Collapsible Reactive Plate Holder

Frame is #4 rebar and 1/4" x 1-1/2" bar stock
Plate is 8" diameter made from 1/2" steel plate
Note: mild steel target plate is suitable only for handgun calibers, not rifles.

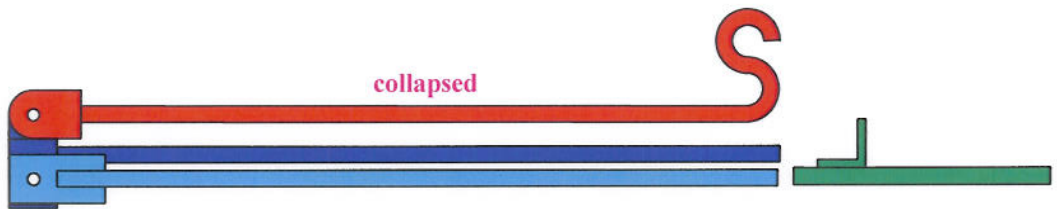
front view



side view

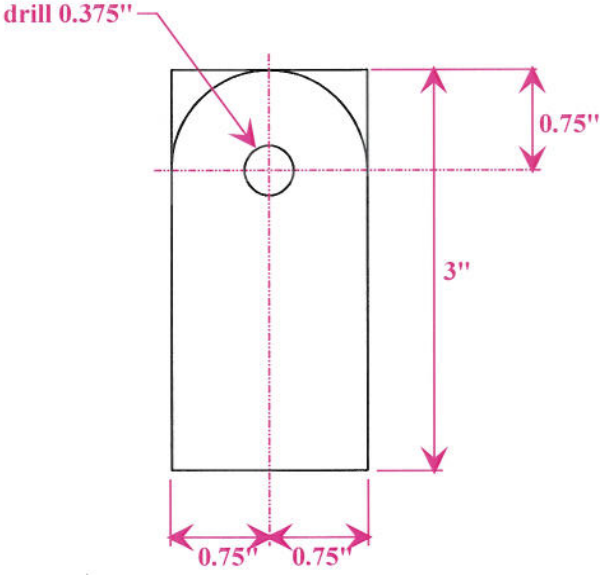


collapsed



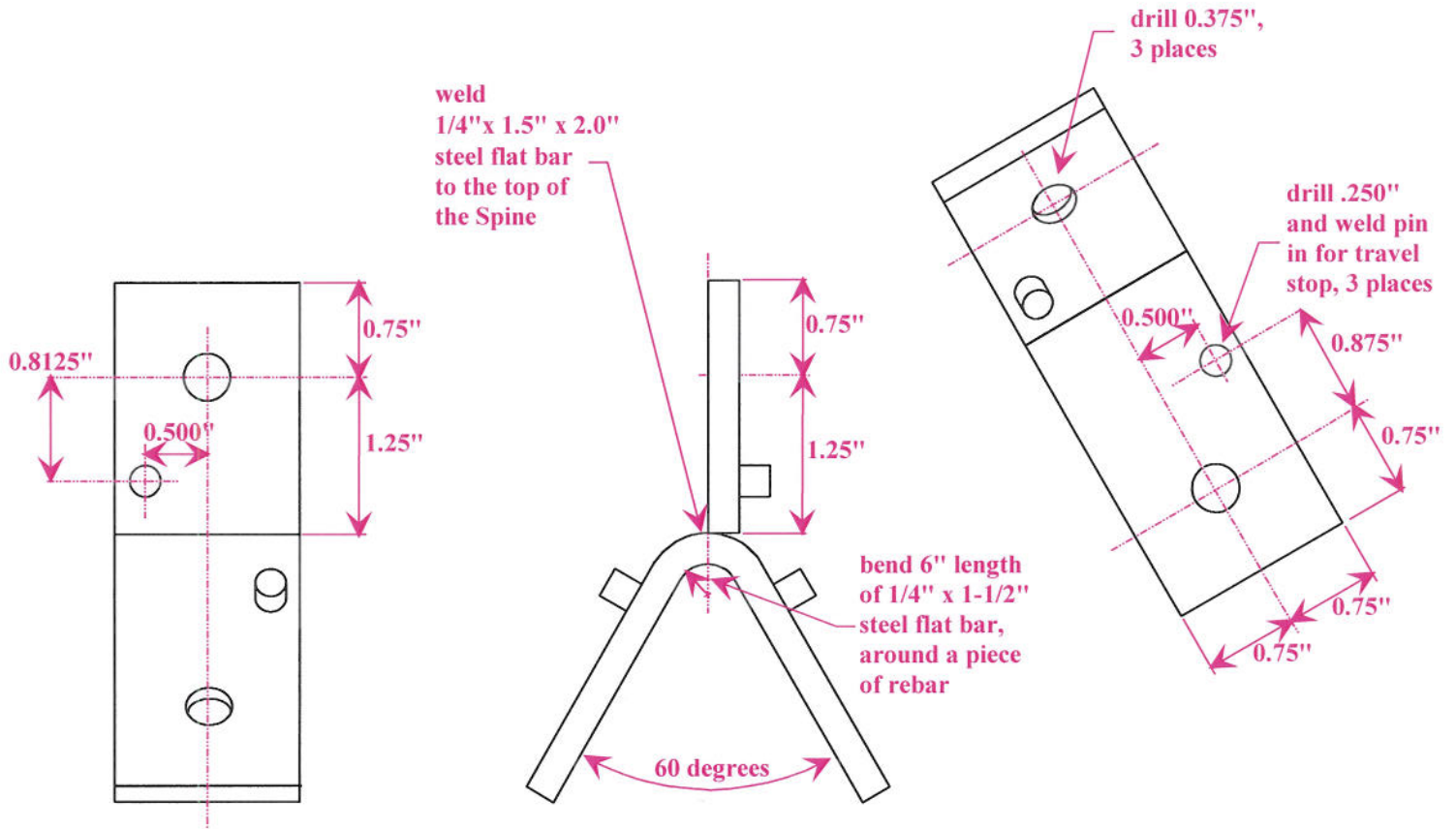
Collapsible Reactive Plate Holder

Pivot Plate: make three from 1/4" x 1-1/2" steel flat bar, one with a rounded end.



Collapsible Reactive Plate Holder

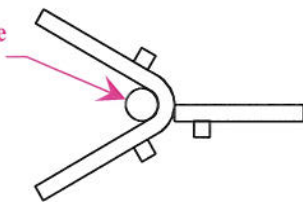
Spine: make one from 1/4" x 1-1/2" steel flat bar



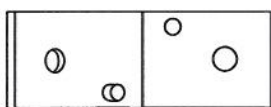
Collapsible Reactive Plate Holder

Spine Leg Assembly: make one from the spine and #4 rebar

weld rebar into the "V" of the spine



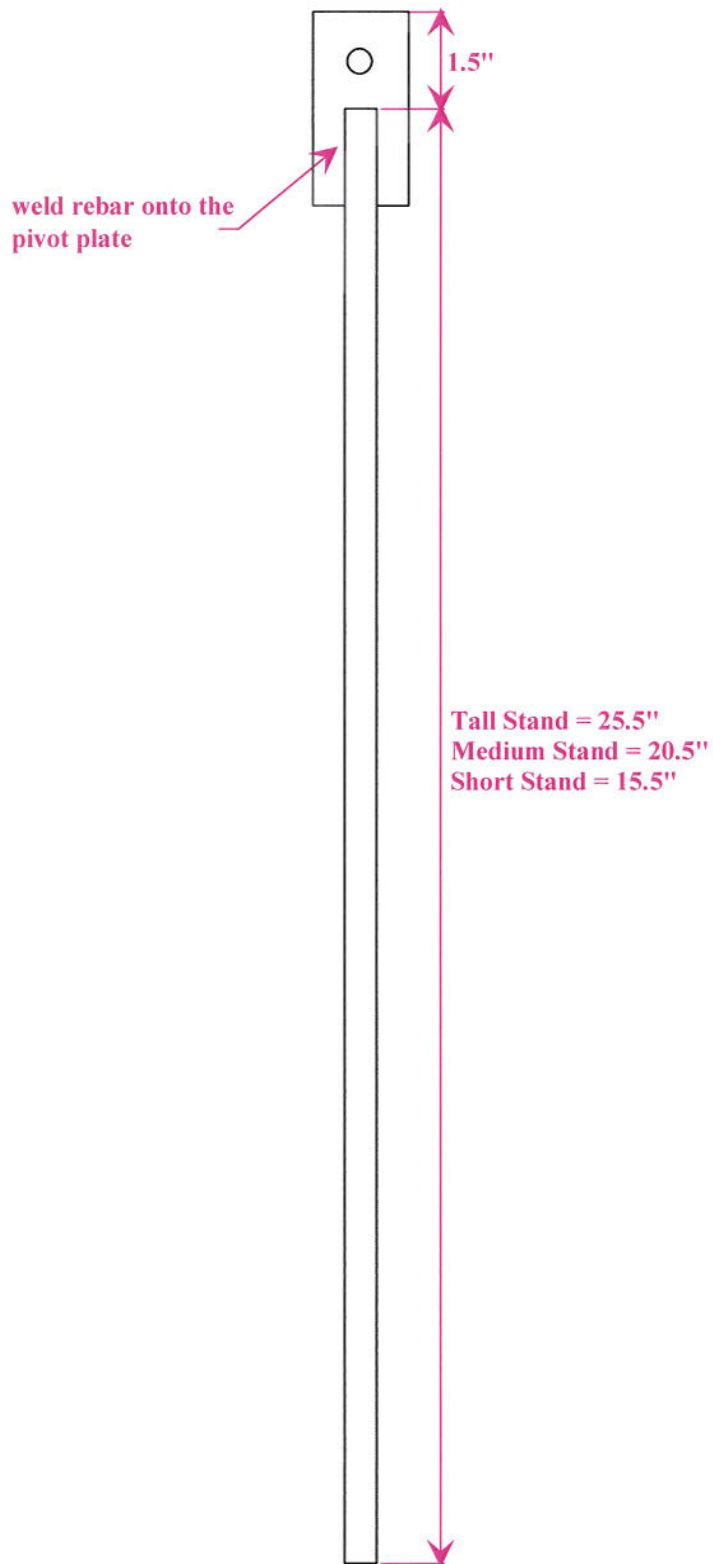
use three 3/8" x 1" bolts, lock washers and wing nuts to attach two legs and hook assembly to the spine



Tall Stand = 27"
Medium Stand = 22"
Short Stand = 17"

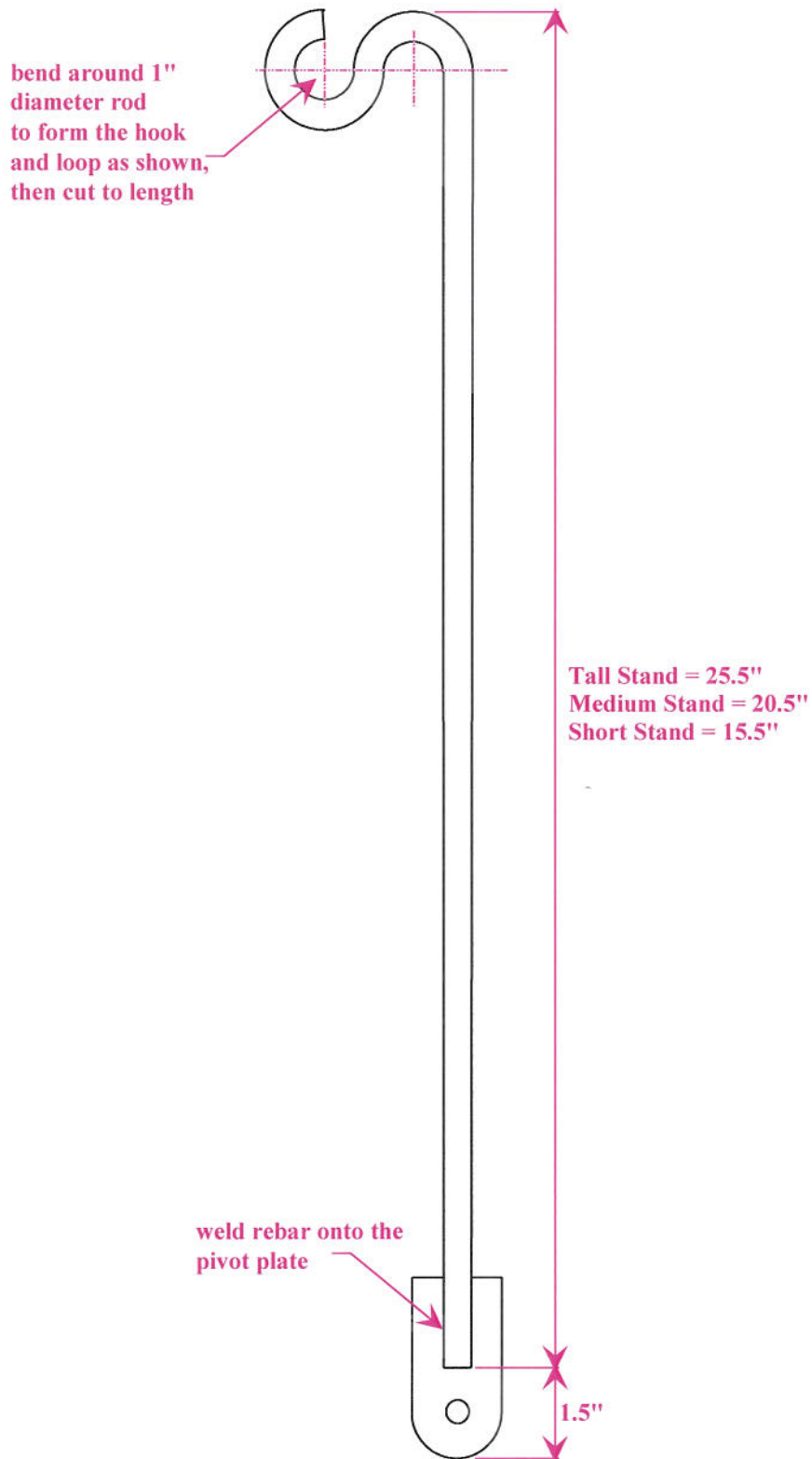
Collapsible Reactive Plate Holder

Front Leg Assembly: make two from a pivot plate and #4 rebar



Collapsible Reactive Plate Holder

Hook Assembly: make two from a pivot plate and #4 rebar

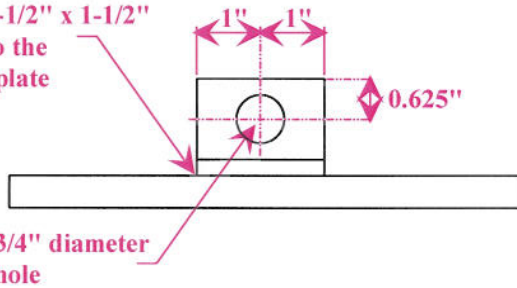


Collapsible Reactive Plate Holder

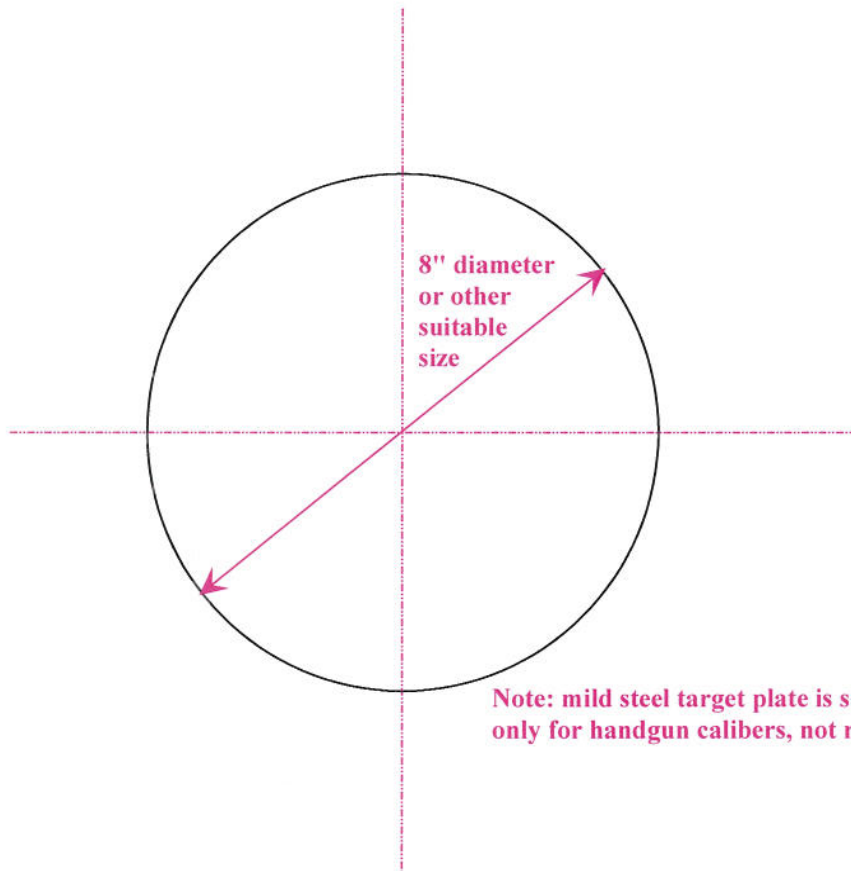
Target Plate: make one from 3/8" or 1/2" steel plate and angle iron.

Note: mild steel target plate is suitable only for handgun calibers, not rifles.

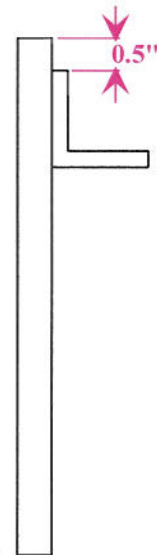
weld 1/4" x 1-1/2" x 1-1/2"
or 3/16" x 1-1/2" x 1-1/2"
angle iron to the
back of the plate



3/4" diameter
hole



8" diameter
or other
suitable
size



Note: mild steel target plate is suitable
only for handgun calibers, not rifles.

Collapsible Reactive Plate Holder

Target Plats: make three from 3/8" x 1/2" steel plate

