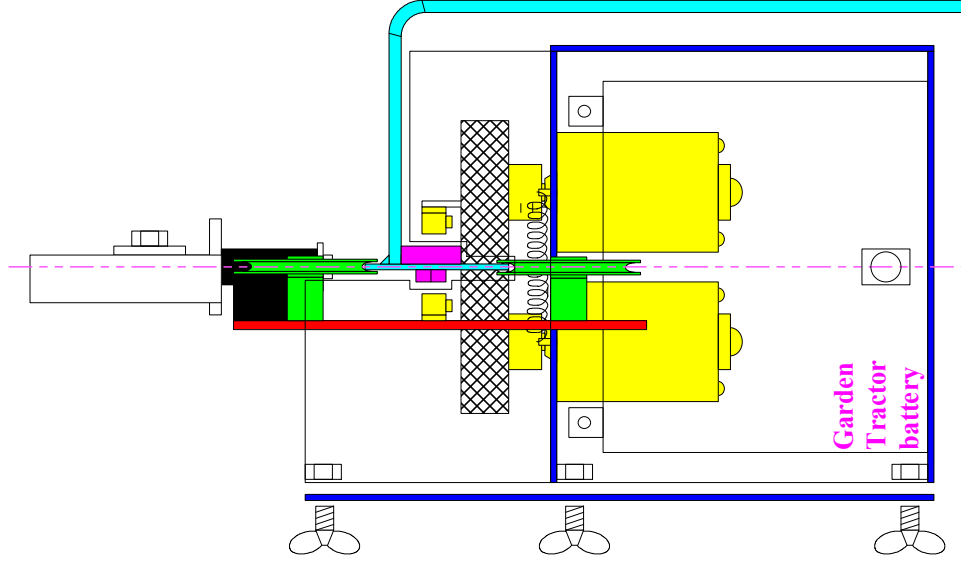
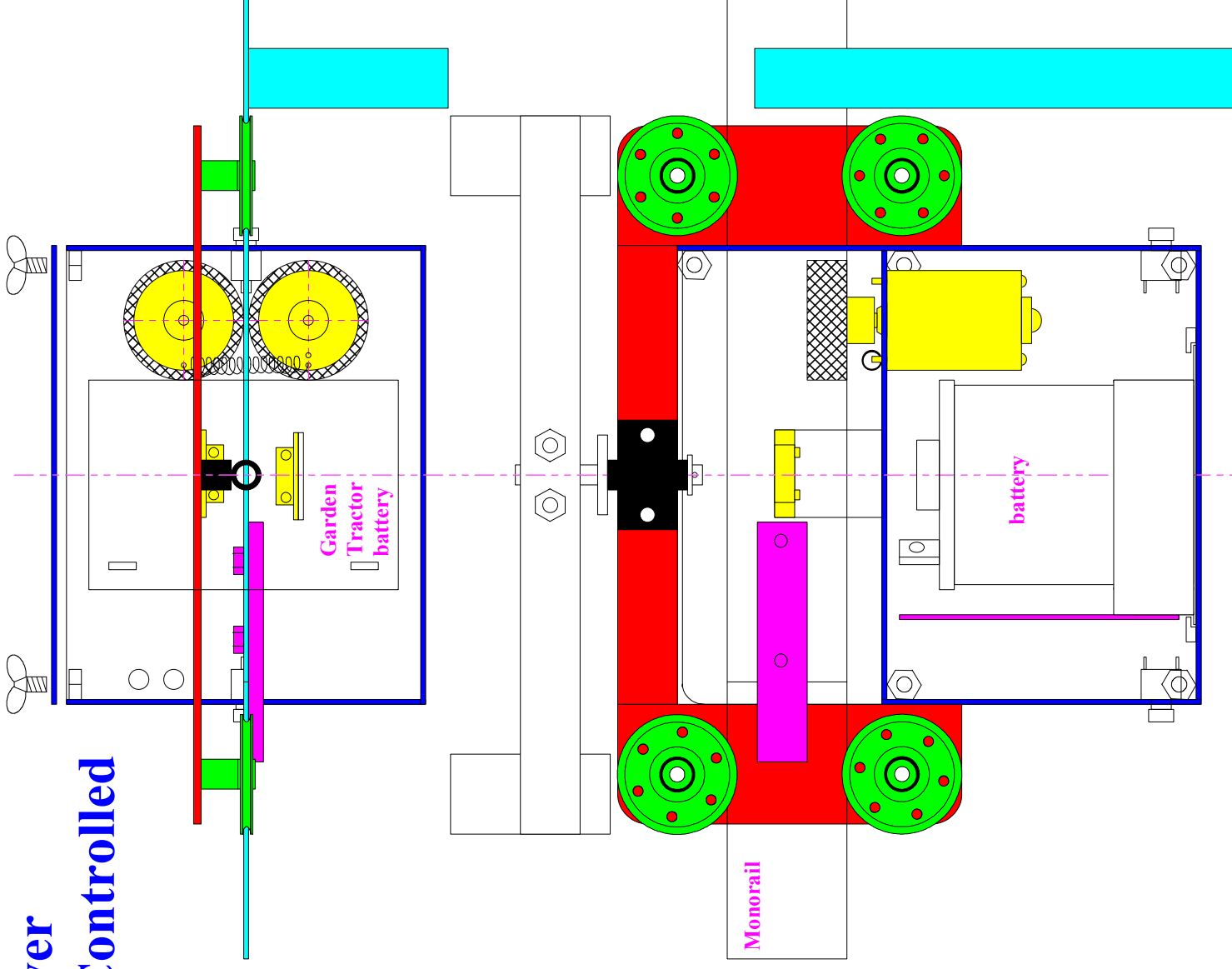


Electric Monorail Target Mover

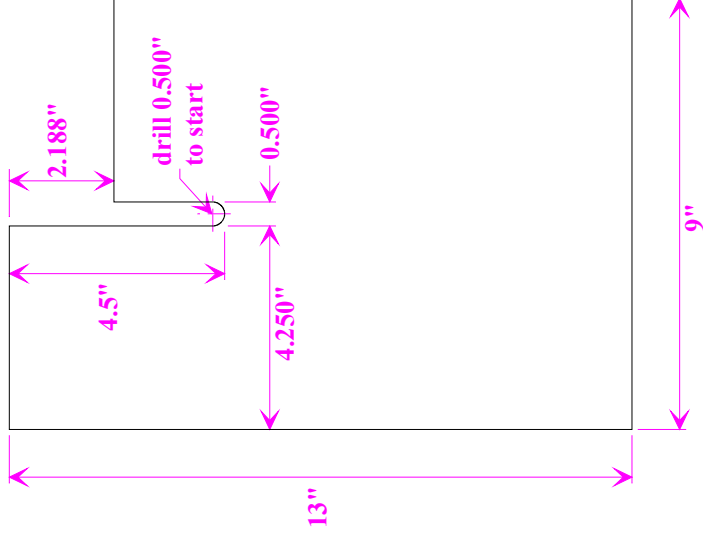
Remote Controlled, Speed Controlled

- 1/8" x 3" steel bar stock track
- 3" garage door pulleys
- 12 vdc permanent magnet fan motors
- 3" urethane wheels
- custom made motor to wheel adapters
- 12 vdc garden tractor battery
- remote control using a keyless entry system



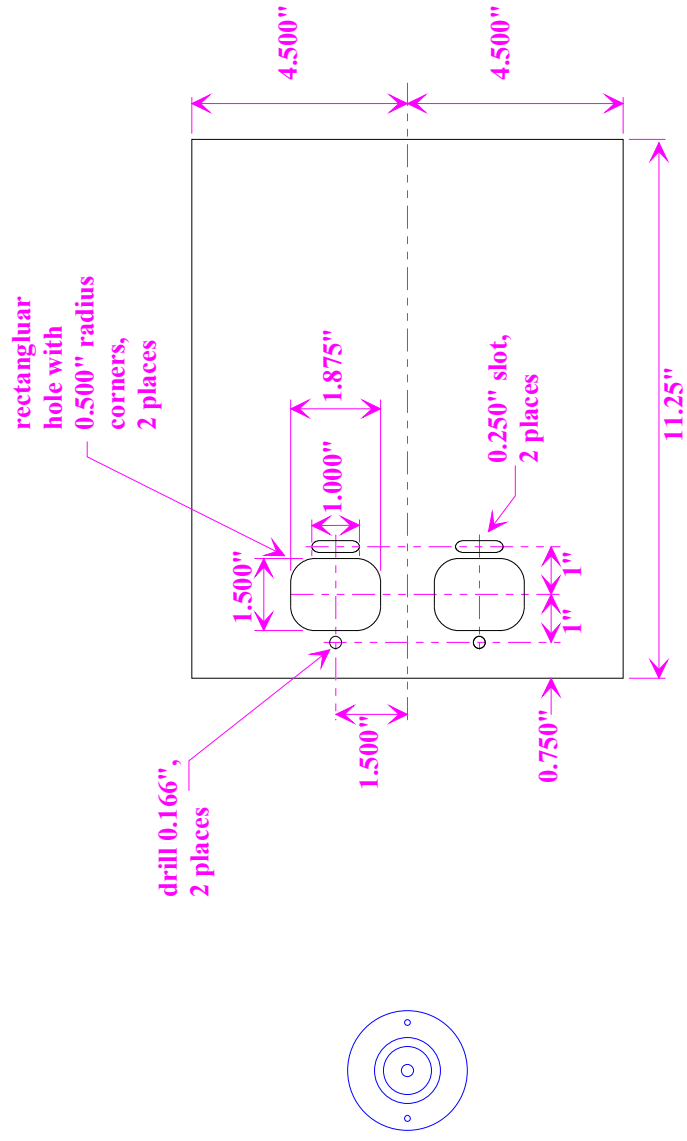
Electric Monorail Target Mover

Battery Box Plate - Front, make 1 from 0.250" steel plate



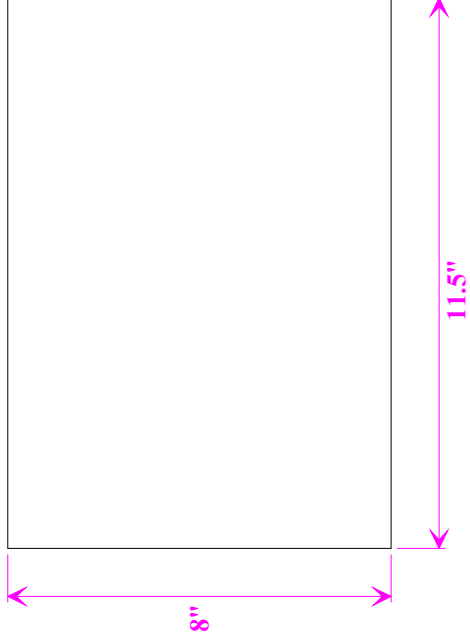
Electric Monorail Target Mover

Top and Bottom Plates, make 2 from 0.125" steel plate, 1 with no holes or slots



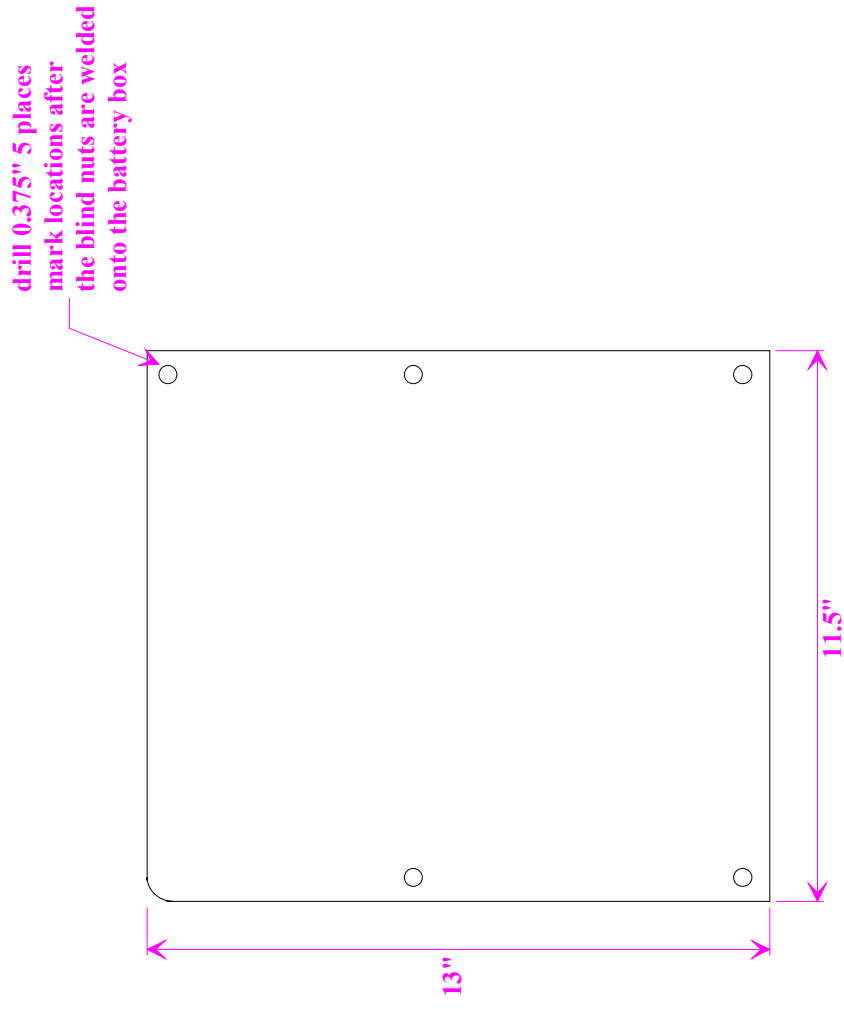
Electric Monorail Target Mover

Battery Box Plate - Left, make 1 from 0.125" steel plate



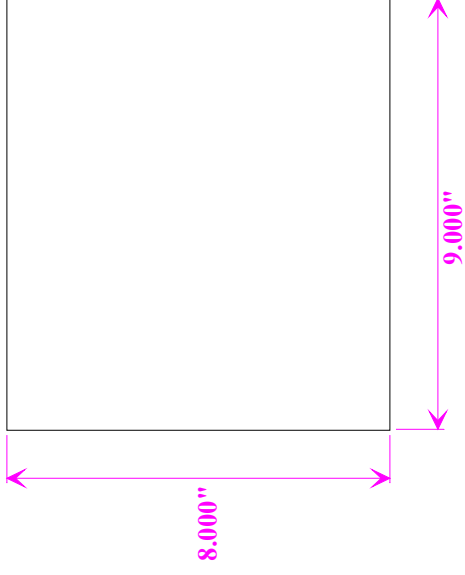
Electric Monorail Target Mover

Battery Box Plate - Right, Removable, make 1 from 0.250" steel plate



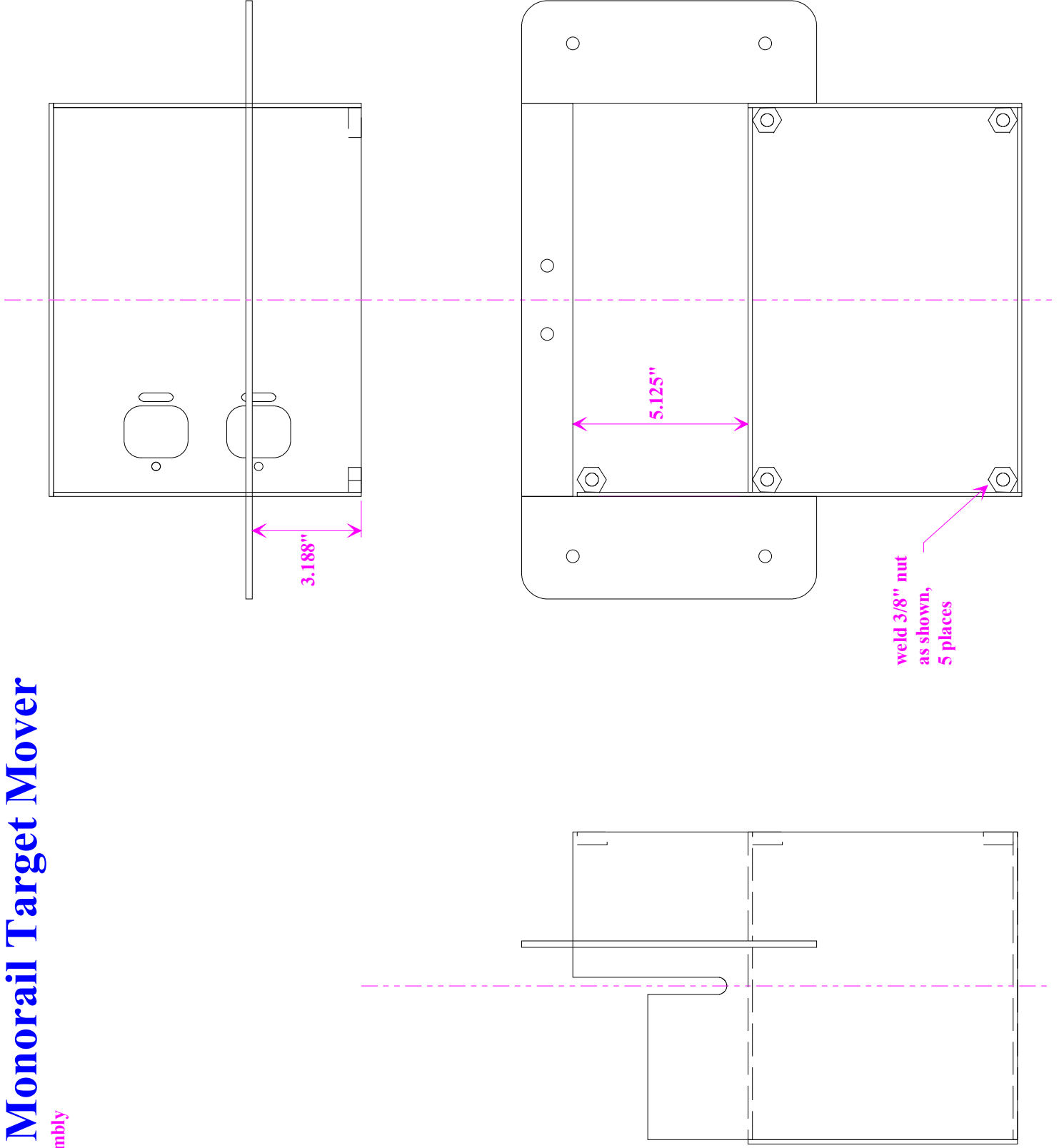
Electric Monorail Target Mover

Battery Box Plate - Rear, make 1 from 0.125" steel plate



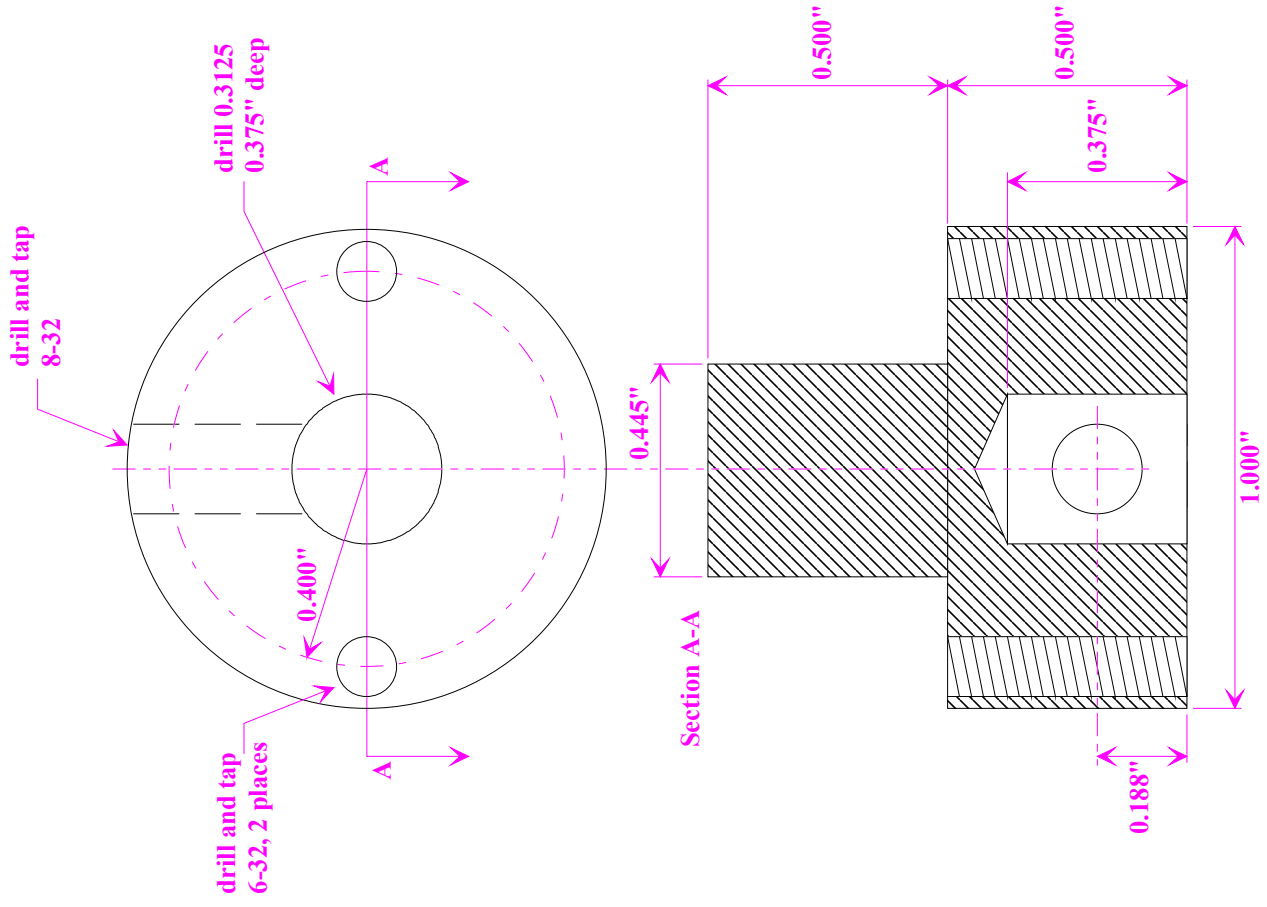
Electric Monorail Target Mover

Battery Box Assembly



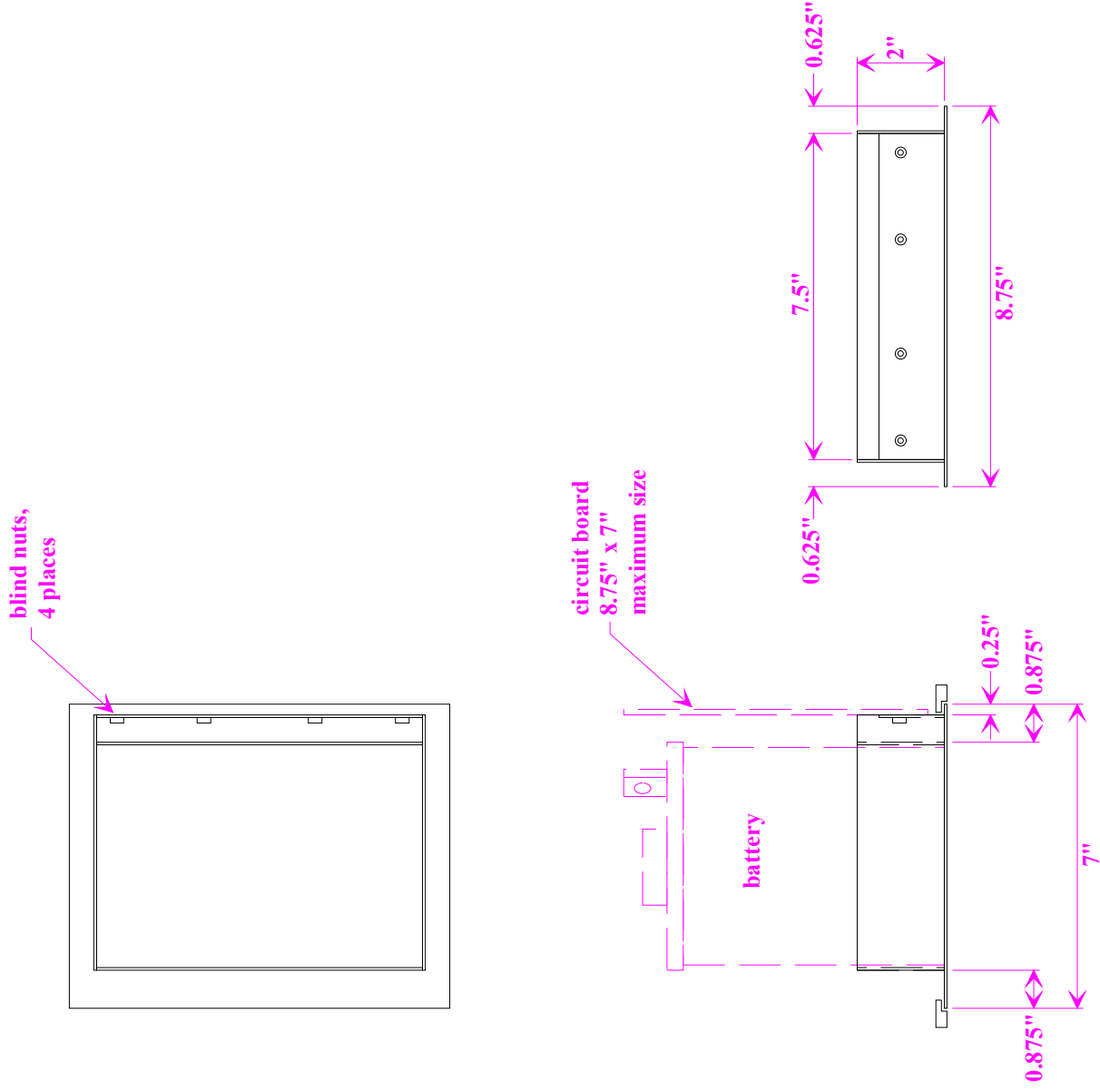
Electric Monorail Target Mover

Motor To Wheel Adaptor, make 2 from 1" diameter steel round shaft



Electric Monorail Target Mover

Battery Tray, make 1 from 0.062" steel plate



Electric Monorail Target Mover

Battery Tray Rails, make 2 from 0.25" x 0.75" steel flat bar

