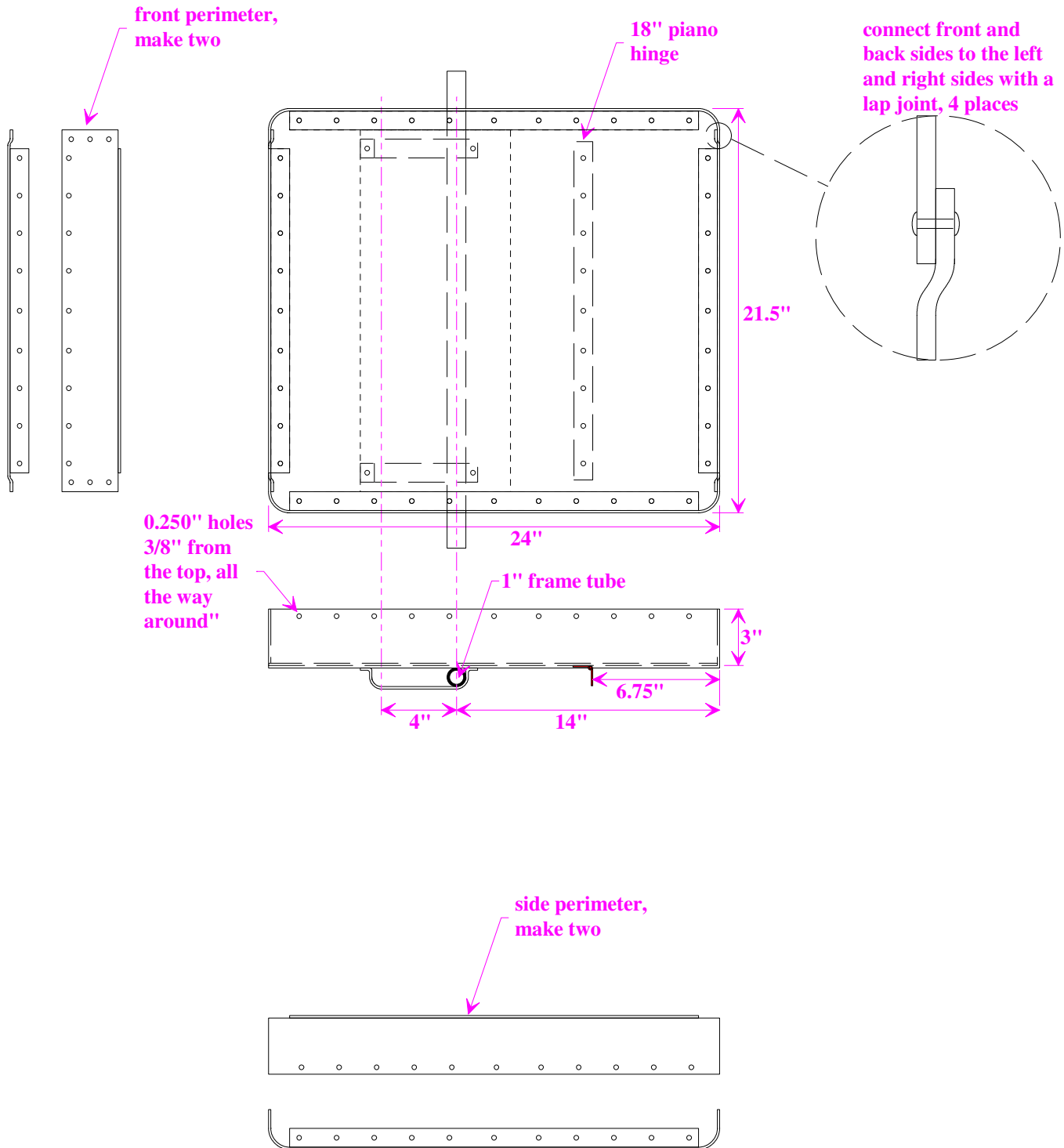


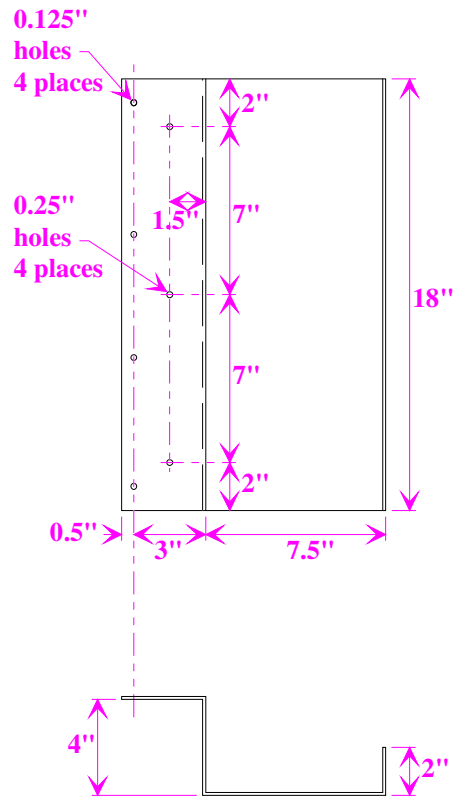
3-Gun Cart

Main Shelf, make one from aluminum sheet



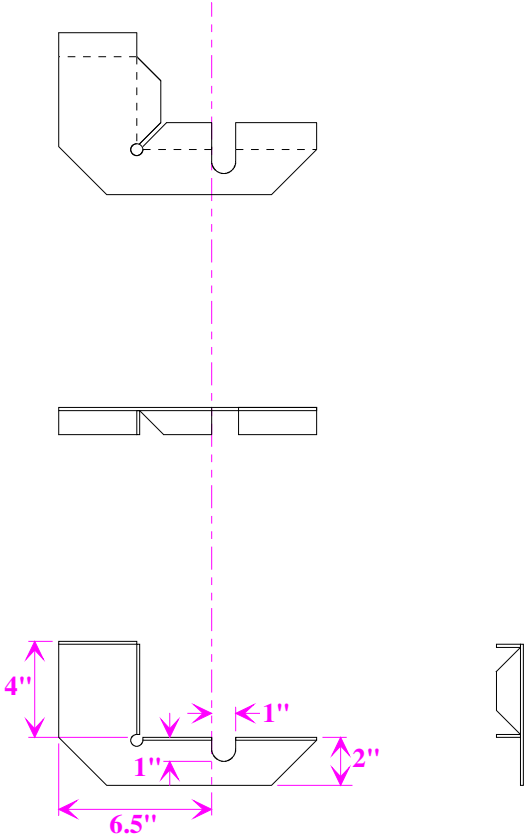
3-Gun Cart

Long Gun Bottom Rack, make one from aluminum sheet



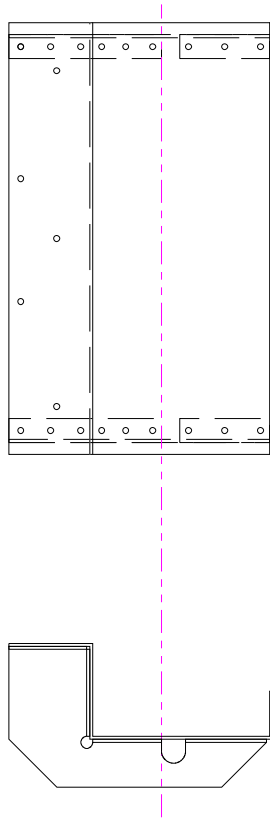
3-Gun Cart

Long Gun Bootm Rack Gusset, make a left and a right from aluminum sheet



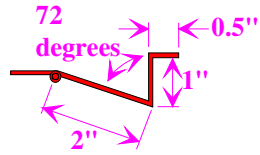
3-Gun Cart

Long Gun Bottom Rack Assembly

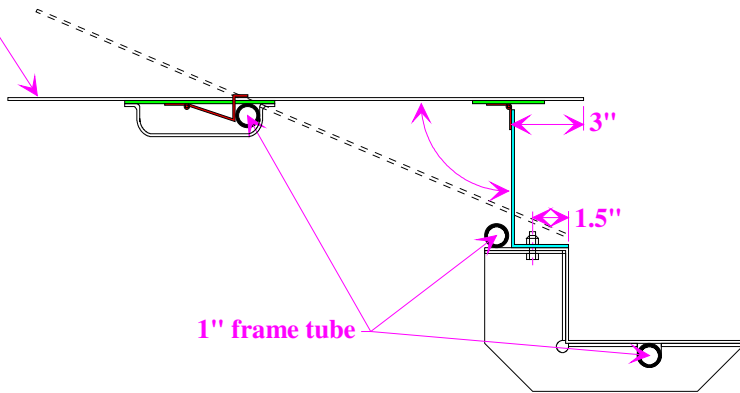


3-Gun Cart

Main Shelf Fold-Up Support Leg



Main Shelf shown without sides



0.125" holes to match piano hinge

spaced for piano hinge



0.250" hole 3 places

